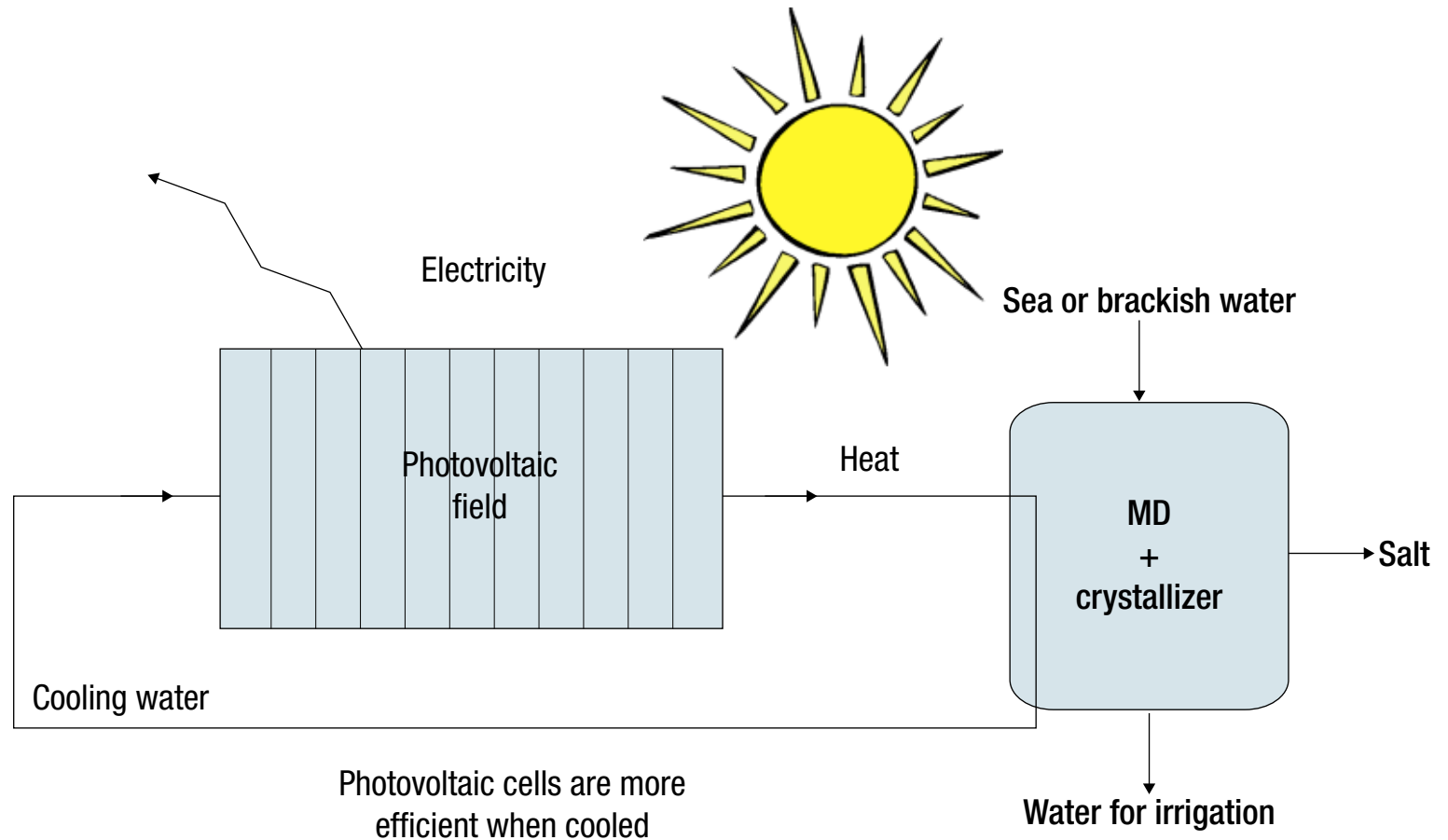
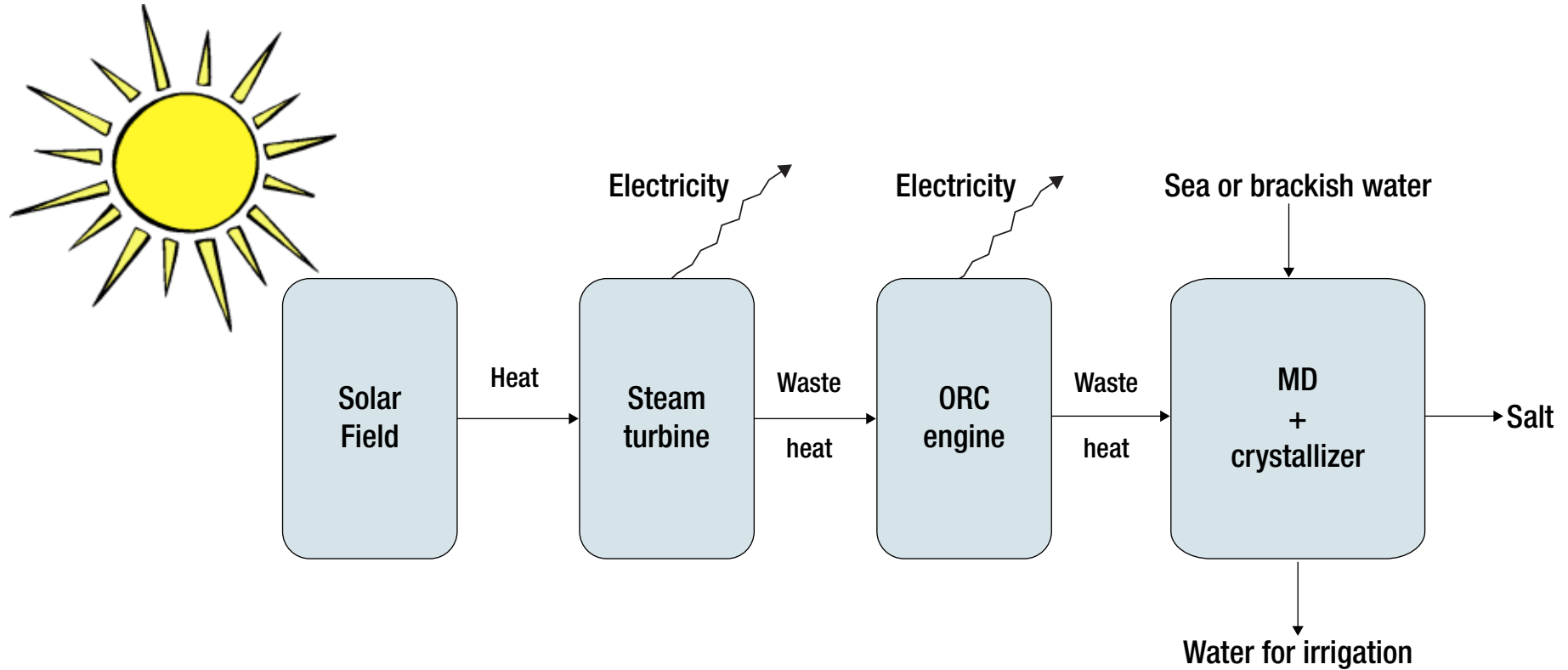


# CONCENTRATED PHOTOVOLTAICS POLYGENERATION



# CONCENTRATED SOLAR POWER POLYGENERATION



Sacarab Development AB

[www.scarab.se](http://www.scarab.se)

December 2011